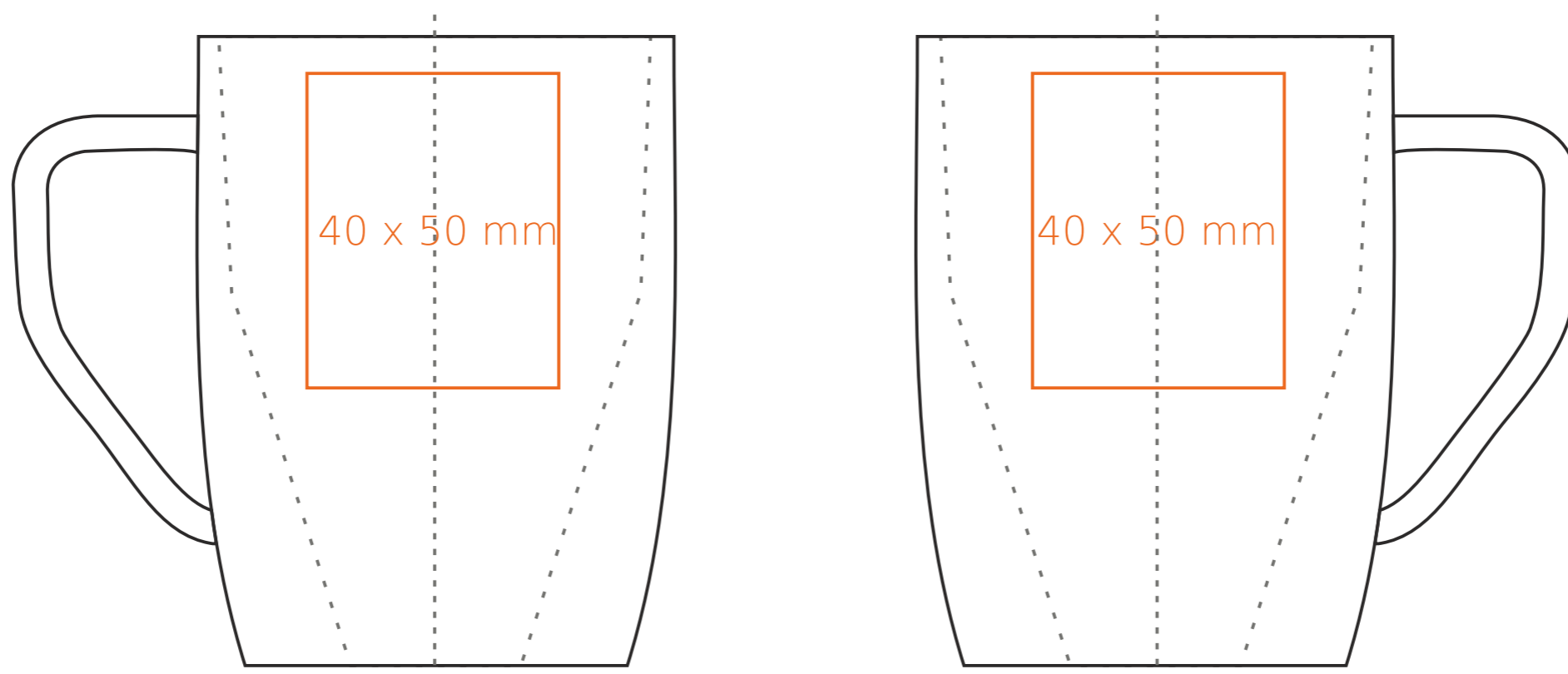


M/071 Edge

280 ml / h: 99 mm / Ø 70x70mm



Imprint on the handle	- 30 x 10 mm
Imprint on the inside	- 35 x 20 mm
Imprint on the bottom inside	- Ø 30 mm
Imprint on the bottom outside	- Ø 30x10 mm

*In the case of projects for transfer print running outside of the standard print area, please contact our sales department.

[How to prepare print material](#)

meaning

— Transfer Print
— Sensitive Touch